



**LITRE METER**  
Specialist flow measurement engineering

## FlowPod

The FlowPod is Litre Meter's latest flow indication display unit. Utilising state-of-the-art technology; the FlowPod comes in a compact and light weight flame proof Stainless Steel enclosure that is only 85mm in diameter and weighs in at only 1.5kg. The FlowPod is one of the smallest flow displays for the Chemical injection industry on the market today.

The back-lit display (4-wire only) with high contrast ratio large flow rate indication and totalizer digits, enables the display to be easily read at distance in poorly lit conditions. The FlowPod comes equipped with Litre Meter – Memory Card input.

LM-MC has been developed by Litre Meter for 2-wire low powered systems. The LM-MC enables calibration data to be easily swapped without having to remove the FlowPod from the installation or having to perform difficult calibration curve changes on site. The LM-MC has data logging capabilities to enable recalibration to be tailored to flow rate of the meter as specified by the client.

The FlowPod can be controlled without having to power down, due to integrated magnetic switches that allows for simple programming and menu selection.

The flow meter can come with either direct mounted or remote mounted using suitable armoured signal cable or conduit.

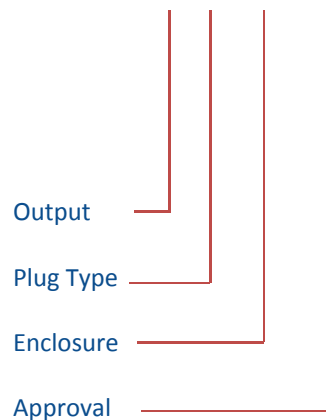
The standard specification consists of a HART 7 protocol output on a two or four wire 24 Vdc powered system.



### Key Features

- Compact
- 2 or 4 wire
- 2 sensing options
- Tool-less assembly
- Rotatable through 360° display
- Low Maintenance
- Highly Durable
- LM memory card (LM-MC)
- Reduced size and weight
- Easy wiring
- Full programmable HART
- Stainless steel enclosure
- Exia
- Exd Class 1 Div 1
- IP66/IP68

### FlowPod-H-RD-E1-2Exi



#### Output options:

H – 4-20mA HART 7 output of flowrate.

#### Plug Type options:

RD – Standard 316SS Exd blanking plug.

#### Enclosure options:

E1 -Bottom entry 3/4" NPT. Side entries 3/4"NPT.

E2 -Bottom entry 3/4" NPT. Side entries M20x1.5.

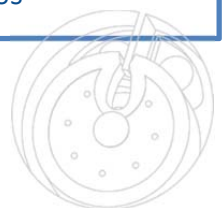
E3 -Bottom entry M20x1.5. Side entries M20x1.5.

#### Approval options:

2Exi – 2-Wire loop powered HART Exia. ATEX & IECEX

2Exd – 2-Wire loop powered HART Exd. ATEX, IECEX & CSA-US

4Exd – 4-Wire HART Exd. ATEX, IECEX & CSA-US





**LITRE METER**

Specialist flow measurement engineering

## Technical Data



### Key Features:

Exia- ATEX, IECEX  
Exd- CSA(US): Class1 Div1 (B,C,D)  
CSA(CAN): Class1 Div1 (B,C,D)  
ATEX: Ex db IIC  
IECEX: Ex db IIC  
IP 66/IP68 dual certified

-20 to +75°C

2 or 4 wire 4-20mA HART 7 programming and monitoring

Compact lightweight 316 stainless steel housing

Rotatable through 360° for optimised viewing angle

2 sensing options - standard and hi-res - both with bidirectional sensing

Removable LM-MC storage card for data logging & offsite programming

Local programming

Resettable and non-resettable Totaliser

Batch control

**Power:** 12 – 30 Vdc (Exd)  
12 – 30 Vdc (Exia)

### Display Features:

**Pulsing Input Indicator:** This pulses at low flow, as a visual check of flow rate.

**Total Digits:** A total of 8 digits with the option to display: non resettable total, a resettable total and the resettable reverse flow total.

**Rate Digits:** The large 5 digits display the real time flowrate, the large digits and high contrast allows this to be easily read from a distance in poor light conditions.

**Units:** The option to display the flowrate and total in many different units, depending on your requirements.

**Flow range usage:** displays the flow rate in 20 steps - programmable.

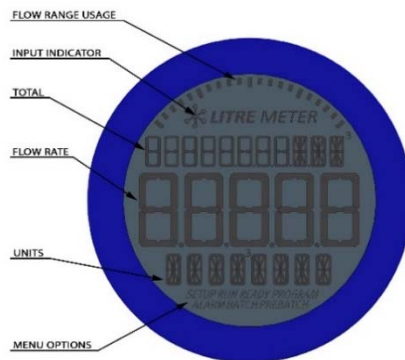
**Menu options:** the simple local program option. To scroll through the menu options using a magnet and to make simple display changes or to reset the totals.

Litre Meter Ltd  
Hart Hill Barn  
Granborough Road  
North Marston  
Buckinghamshire  
MK183RZ, UK  
[www.litremeter.com](http://www.litremeter.com)



MJ Systems, LLC  
Authorized Litre Meter Distributor

502 N 8th Street  
La Porte, TX 77571  
[sales@mjsusa.com](mailto:sales@mjsusa.com)  
(281)842-7600  
[www.mjsusa.com](http://www.mjsusa.com)

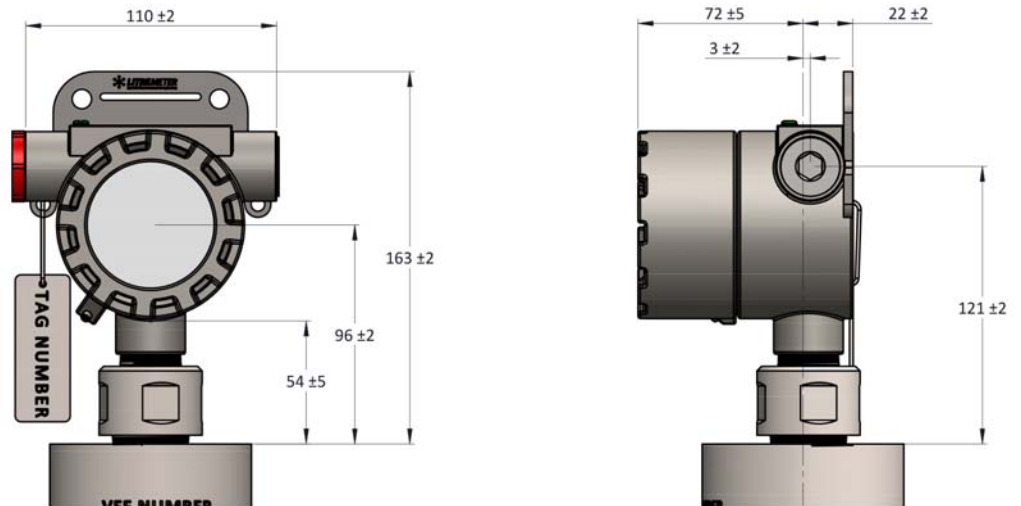




**LITRE METER**  
Specialist flow measurement engineering

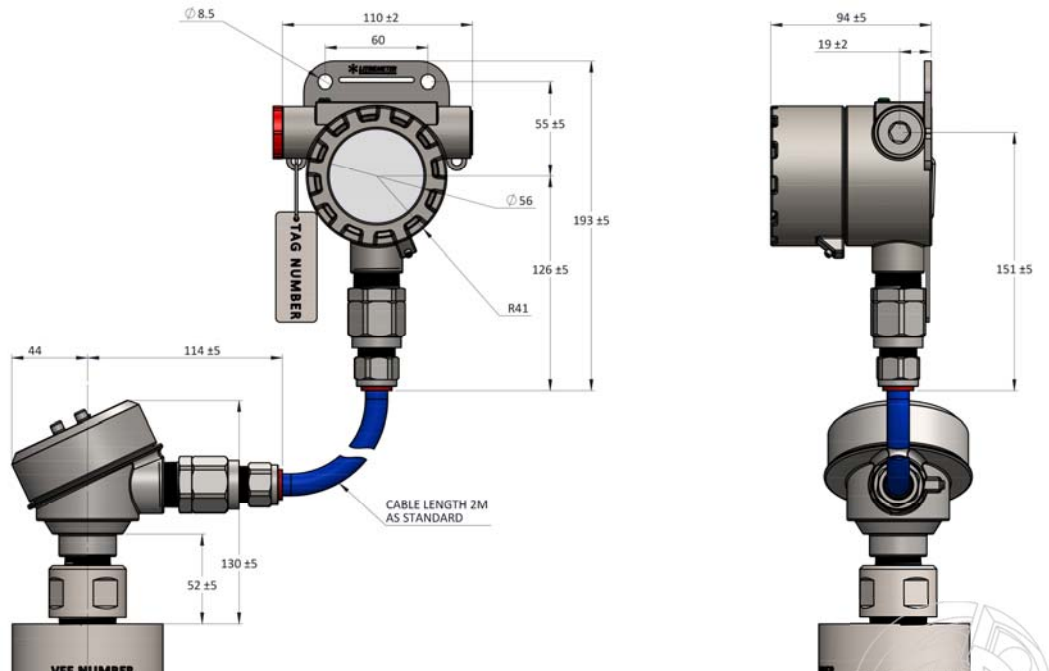
## Dimensions

### Direct Mount:



In mm

### Remote Mount:



In mm

Litre Meter Ltd  
Hart Hill Barn  
Granborough Road  
North Marston  
Buckinghamshire  
MK183RZ, UK  
[www.litremeter.com](http://www.litremeter.com)



MJ Systems, LLC  
Authorized Litre Meter Distributor

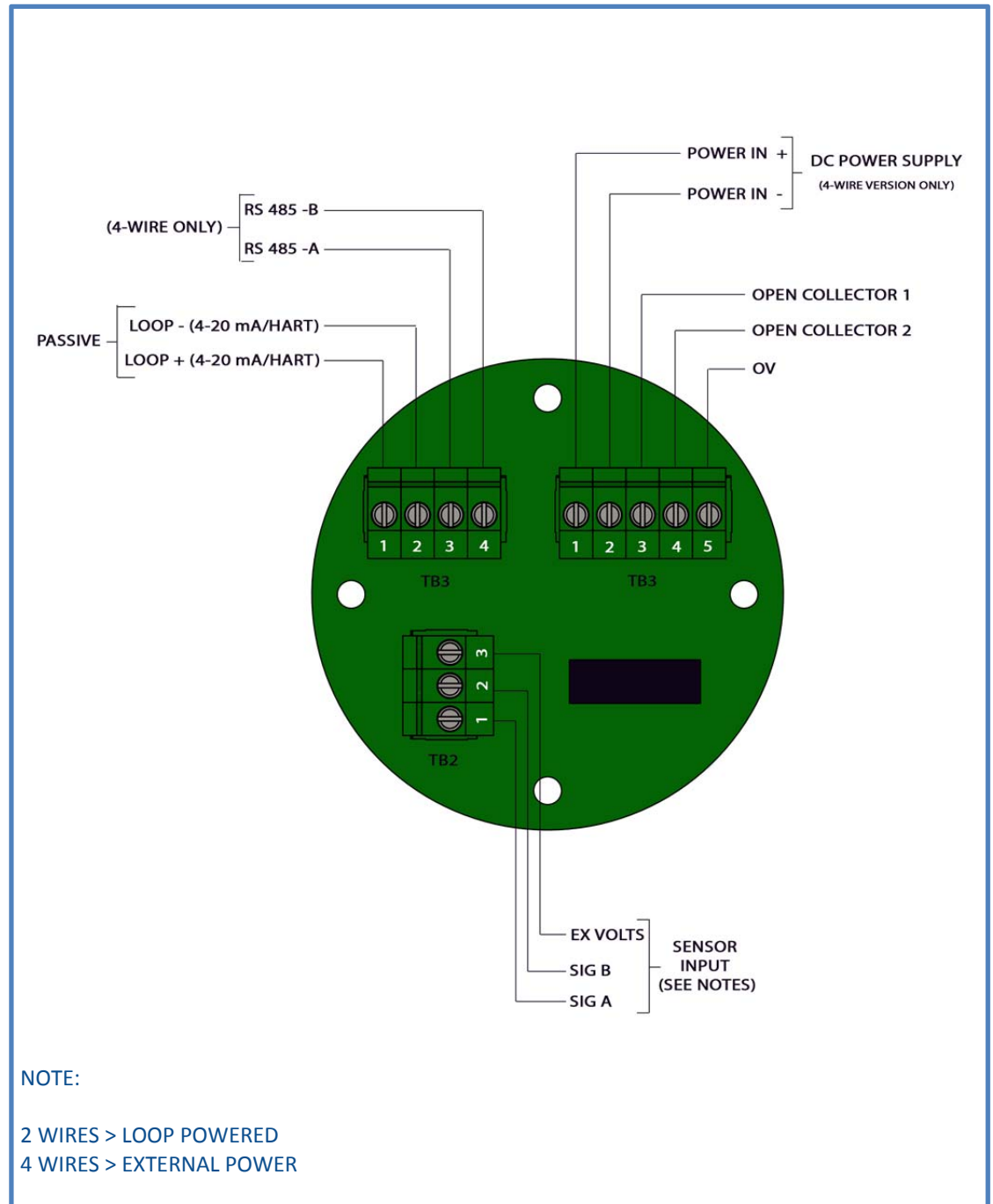
502 N 8th Street  
La Porte, TX 77571  
[sales@mjsusa.com](mailto:sales@mjsusa.com)  
(281)842-7600  
[www.mjsusa.com](http://www.mjsusa.com)



**LITRE METER**

Specialist flow measurement engineering

## Wiring



Litre Meter Ltd  
Hart Hill Barn  
Granborough Road  
North Marston  
Buckinghamshire  
MK183RZ, UK  
[www.litremeter.com](http://www.litremeter.com)



MJ Systems, LLC  
Authorized Litre Meter Distributor

502 N 8th Street  
La Porte, TX 77571  
[sales@mjsusa.com](mailto:sales@mjsusa.com)  
(281)842-7600  
[www.mjsusa.com](http://www.mjsusa.com)

REV A3, 07/2015