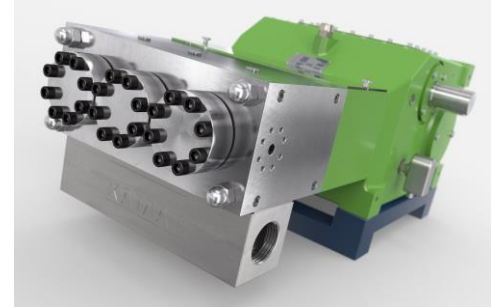


## Triplex Plunger Pump K 20000 – 3G

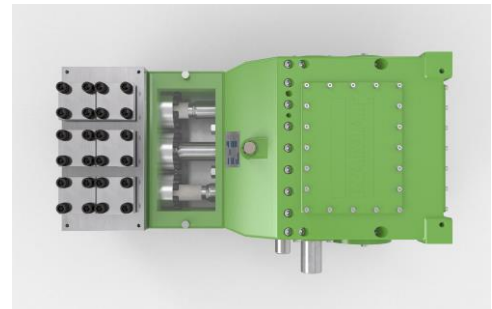
P 30-1

01.01.2017

At 200 kW, the high pressure K 20000 pump delivers power. Its oil bath lubricated gearbox makes it suitable for intermittent operation in services like HPU's, well interventions, valve actuation and industrial cleaning. The robust K 20000 design consists of relatively few parts which increases reliability and reduces maintenance. Due to the KAMAT modular design concept, simple adaptations easily accommodate different operating pressures and pumped media.



- Flow rate based upon 100% volumetric efficiency and 20°C ambient temperature
- Minimum inlet pressure depends on fluid medium
- Speed range 10-100% depending on rod force
- Gear dynamically balanced
- Gear with splash lubrication
- Standard gear ratios I = 3,33 – 3,50 – 4,04 – 4,62 – 5,44
- API 674 and ATEX versions available



n <sub>nom</sub> = 375 1/min		p max. bar @ kW				Head type		
Type	l/min	110 kW	132 kW	160 kW	200 kW	A	M	MC
K 20018 – 3G	34	1700	2040	2470	2800	1		
K 20020 – 3G	42	1375	1650	2000	2500	1		
K 20022 – 3G	51	1120	1350	1630	2000	1		
K 20024 – 3G	61	940	1125	1360	1700	1		
K 20026 – 3G	72	820	965	1160	1410	1		
K 20028 – 3G	83	720	855	1015	1215	1		
K 20030 – 3G	95	630	755	900	1060	1		H
K 20032 – 3G	109	555	660	800	930	1		H
K 20036 – 3G	137	435	525	635	735	1		H
K 20040 – 3G	170	355	420	510	595	1		H
K 20045 – 3G	215	270	325	390	470	1	1	H
K 20050 – 3G	265	210	255	310	380	1	1	H
K 20055 – 3G	321	175	210	255	315		1	1
K 20060 – 3G	382	150	180	215	265		1	1
K 20065 – 3G	448	125	150	185	225		1	1
K 20070 – 3G	519	110	130	160	195			1
K 20075 – 3G	596	95	115	140	170			1
K 20080 – 3G	678	85	100	120	150			1
K 20085 – 3G	766	75	90	105	130			1
K 20090 – 3G	858	65	80	100	120			1
K 20095 – 3G	957	60	75	90	105			1

API 674 = max. 320 1/min

= Ultra High Pressure UHP

KAMAT GmbH & Co. KG

Salinger Feld 10, 58454 Witten, Deutschland, Fon +49 (0)23 02 / 89 03-0, Fax +49 (0)23 02 / 80 19 17, info@KAMAT.de, www.KAMAT.de

Technische Änderungen vorbehalten. / The right to technical changes is reserved.

Dimensional Drawing K 20000 – 3G

~ 940 kg	P 30-2
01.05.2017	

