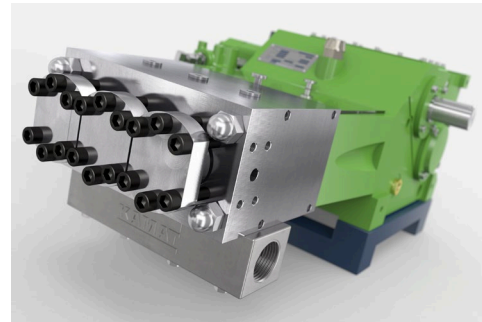


Triplex Plunger Pump K 8000 – 3G

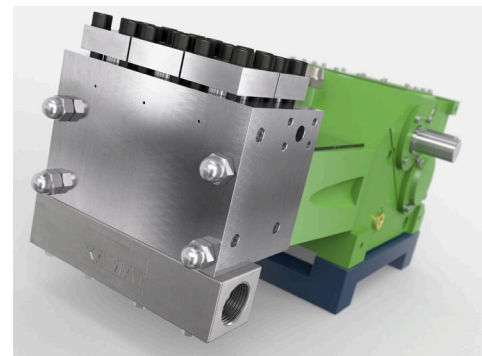
P 5-1

27.04.2020

Suited to a variety of purposes, the K 8000 performs in small-scale industry applications such as industrial cleaning and jetting to pumping special media such as sea water, glycol, methanol or oils. At 80 kW, it is a compact KAMAT high-pressure pump design. The classic KAMAT modular component system enables customization for different application requirements. The pump consists of relatively few parts simplifying maintenance and increasing reliability. For this pump size, the KAMAT high-pressure pumps are supplied with an integrated gear reduction-ratio.



- ▣ low rate based on 100% volumetric efficiency and 20°C ambient temperature
- ▣ 0 in. inlet pressure depending on fluid medium
- ▣ speed range 10-100% depending on rod force
- ▣ gear with splash lubrication
- ▣ standard gear ratios
i = 2,75 - 3,22 - 3,68
- ▣ also available to API 674
- ▣ & WPBG sea water, glycol, methanol, oils DGWKHU services on request



| n _{nom} = 530 1/min | | p max. bar @ kW | | | Head type | | |
|------------------------------|-------|-----------------|-------|-------|-----------|---|----|
| Type | l/min | 45 kW | 55 kW | 75 kW | A | M | MC |
| K 8012 – 3G | 13 | 1770 | 2160 | 2950 | 1 | | |
| K 8014 – 3G | 18 | 1280 | 1590 | 2150 | 1 | | |
| K 8016 – 3G | 24 | 980 | 1220 | 1660 | 1 | | |
| K 8018 – 3G | 30 | 800 | 965 | 1300 | 1 | | H |
| K 8020 – 3G | 37 | 660 | 800 | 1065 | 1 | | H |
| K 8022 – 3G | 45 | 545 | 665 | 890 | 1 | | H |
| K 8024 – 3G | 54 | 460 | 555 | 755 | 1 | | H |
| K 8026 – 3G | 63 | 390 | 475 | 645 | 1 | | H |
| K 8028 – 3G | 73 | 335 | 410 | 555 | 1 | | H |
| K 8030 – 3G | 84 | 280 | 345 | 470 | 1 | 1 | H |
| K 8032 – 3G | 96 | 245 | 300 | 410 | 1 | 1 | 1 |
| K 8036 – 3G | 121 | 190 | 235 | 320 | | 1 | 1 |
| K 8040 – 3G | 150 | 155 | 190 | 255 | | 1 | 1 |
| K 8045 – 3G | 190 | 120 | 150 | 200 | | | 1 |
| K 8050 – 3G | 234 | 60 | 85 | 105 | | | 1 |
| K 8055 – 3G | 283 | 80 | 100 | 135 | | | 1 |

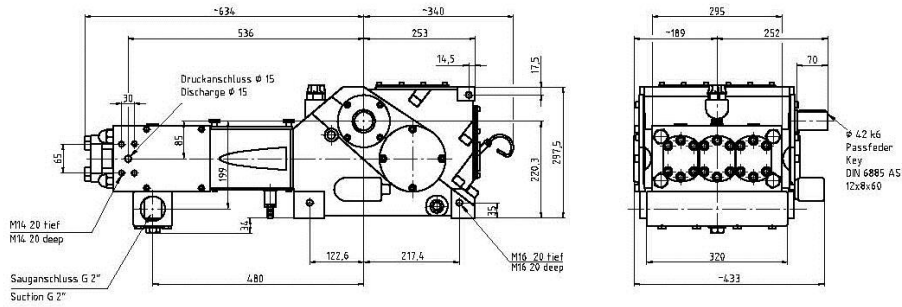
API 674 = max. 400 1/min

= Ultra High Pressure UHP

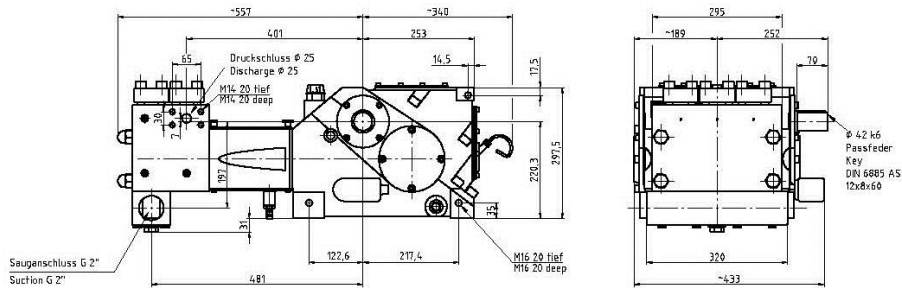
Dimensional Drawing K 8000 – 3G ~ 250 kg P 5-2

01.05.2017

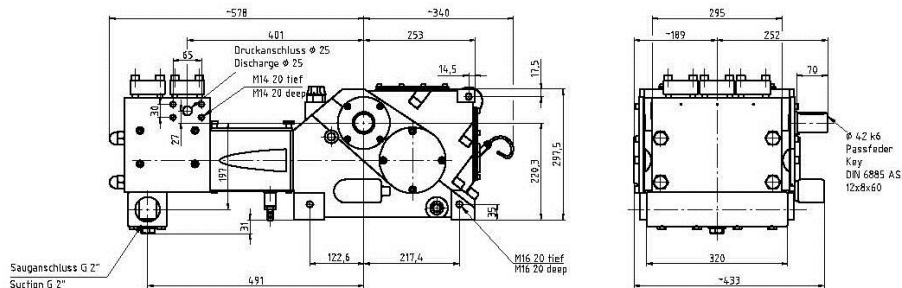
Typ A
Type A



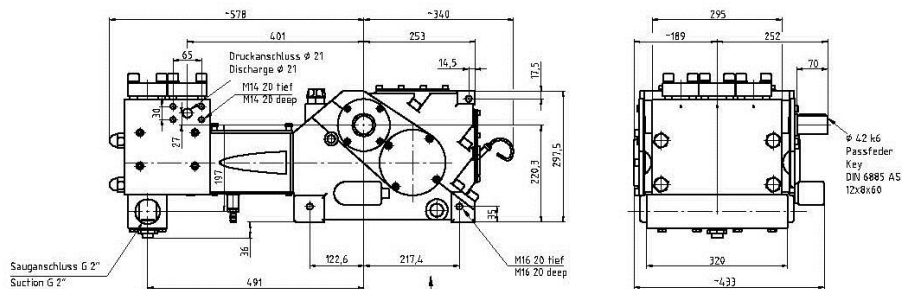
Typ M
Type M



Typ MC
Type MC



Typ MCH
Type MCH



Typ A
Type A
 ≥ 1500 bar

